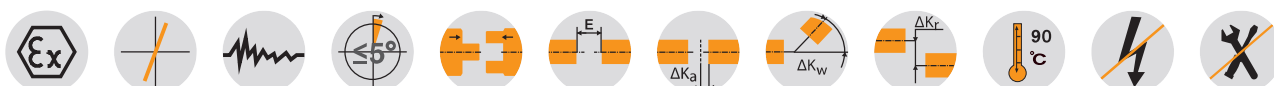


ROTEX® GS Compact Backlash-free jaw couplings

Compact design



For legend of pictogram please refer to flapper on the cover



ROTEX® GS Compact																	
Size	Spider GS ¹⁾ torque T _{KN} [Nm]				Dimensions [mm]										Clamping screw DIN EN ISO 4762		
	80 ShA	92 ShA	98 ShA	64 ShD	d _{max.}	D _H	D _K	L	I ₁ , I ₂	E	b	s	d _H	t	e	M	T _A [Nm]
Single slotted hub design 2.8/2.9																	
7	0.7	1.2	2.0	2.4	7	14	16.6	18	5	8	6	1	-	2.5	5	M2	0.37
8	0.5	-	2.0	2.4	8	15	17.3	20	7	6	5	0.5	6.2	4	5.4	M2	0.52
9	1.8	3.0	5.0	6	9	20	21.3	24	7	10	8	1	-	3.5	6.7	M2.5	0.76
12	3.0	5.0	9.0	12	12	25	26.2	26	7	12	10	1	-	3.5	8.3	M3	1.34
13	3.6	-	11	14.5	12.7	25	25.7	26	8	10	8	1	10	4	8	M3	1.9
14	4.0	7.5	12.5	16	16 ²⁾	30	31.6	32	9.5	13	10	1.5	-	4.5	10	M4	2.9
16	5.0	-	15	19	16	30	32.5	32	10.3	11.4	9.4	1	14	5.3	10.5	M4	4.1
19	6.0	12.0	21.0	26.0	24 ²⁾	40	45.5	50	17	16	12	2	-	9	14.0	M6	10
Axially slotted hub design 2.8/2.9																	
24	-	35	60	75	32	55	57.5	54	18	18	14	2	-	11	20.0	M6	10
28	-	95	160	200	35	65	69.0	62	21	20	15	2.5	-	12	23.8	M8	25
38	-	190	325	405	45	80	86.0	76	26	24	18	3	-	15	29.5	M10	49

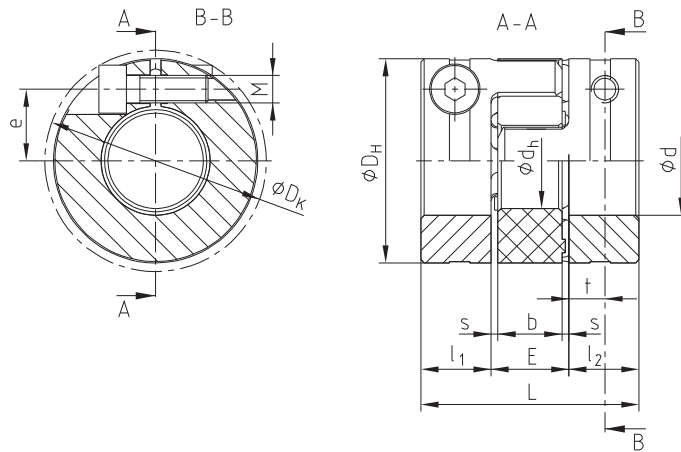
Review of shaft-hub-connection: Friction torques T _f [Nm] for hub design 2.8																										
Size	Ø3	Ø4	Ø5	Ø6	Ø7	Ø8	Ø9	Ø10	Ø11	Ø12	Ø14	Ø15	Ø16	Ø18	Ø19	Ø20	Ø24	Ø25	Ø28	Ø30	Ø32	Ø35	Ø38	Ø40	Ø42	Ø45
Single slotted hub design 2.8																										
7	0.8	0.9	1.0	1.0	1.1																					
8	0.65	0.85	1.1	1.3	1.5	1.7																				
9		1.9	2.0	2.1	2.2	2.3	2.4																			
12		3.4	3.6	3.7	3.9	4.1	4.2	4.4	4.6	4.7																
13		2.2	2.75	3.3	3.8	4.4	4.9	5.5	6	6.6																
14			7.1	7.4	7.7	8.0	8.2	8.5	8.8	9.1	5.8 ²⁾	5.9 ²⁾	6.1 ²⁾													
16			4.8	5.8	6.4	7.7	8.7	9.6	10.5	11.6	13.5	14.5	15.4													
19						24.3	25.0	25.7	26.3	27.0	28.4	29.0	29.7	31.1	31.7	32.4	25.0 ²⁾									
Axially slotted hub design 2.8																										
24								21	23	25	30	32	34	38	40	42	51	53	59	63	68					
28											54	58	62	70	74	78	93	97	109	116	124	136				
38											92	99	111	117	123	148	154	173	185	197	216	234	247	259	278	

¹⁾ For selections see page 22 et seqq/other spiders see page 123 and following

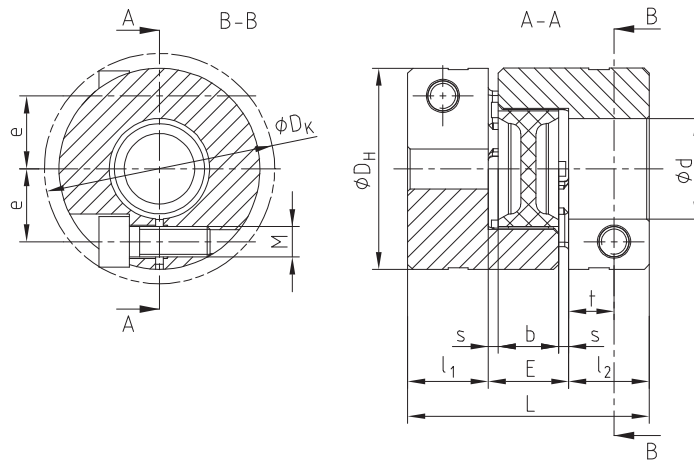
²⁾ Size 14 with screw M3 and dimension e = 10.4/D_K = 30.5/T_A = 1.35 Nm; size 19 with screw M5 and dimension e = 15.5/D_K = 47mm/T_A = 6 Nm

Ordering example:	ROTEX® GS 38	Compact	98 Sha-GS	d 28	2.8 - Ø28	2.8 - Ø45	
	Coupling size	Type	Spider hardness	Optional: Bore in spider	Hub design	Finish bore	Hub design

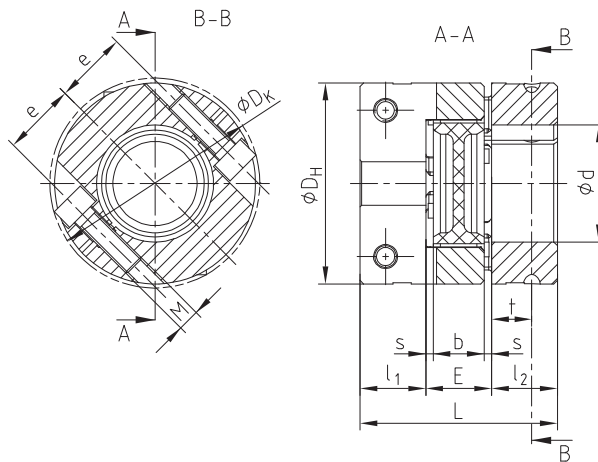
ROTEX® GS 8, 13, 16
Compact
single slotted type 2.8



ROTEX® GS 7, 9, 12, 14, 19
Compact
single slotted type 2.8

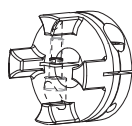


ROTEX® GS 24 - 38
Compact
axially slotted type 2.8



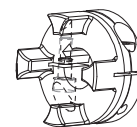
Types of hubs

Type 2.8



Short clamping hub C with axial slot, without feather keyway
Type 2.8 from size 24 as standard, size 7 - 19 type 2.8 single slotted

Type 2.9



Short clamping hub C with axial slot, with feather keyway
Type 2.9 from size 24 as standard, size 7 - 19 type 2.9 single slotted