

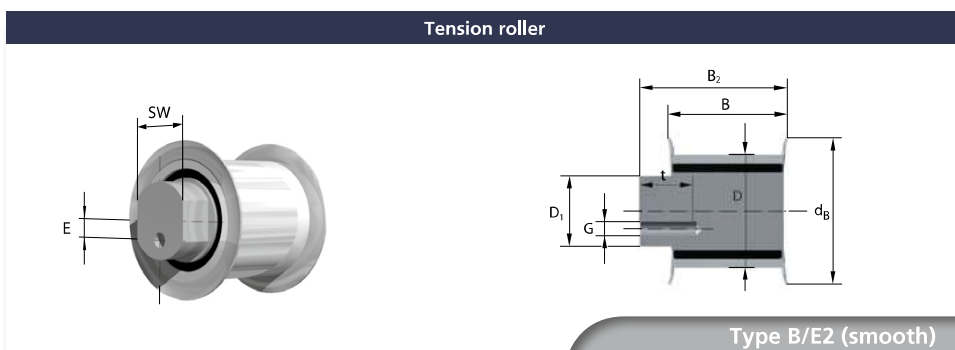
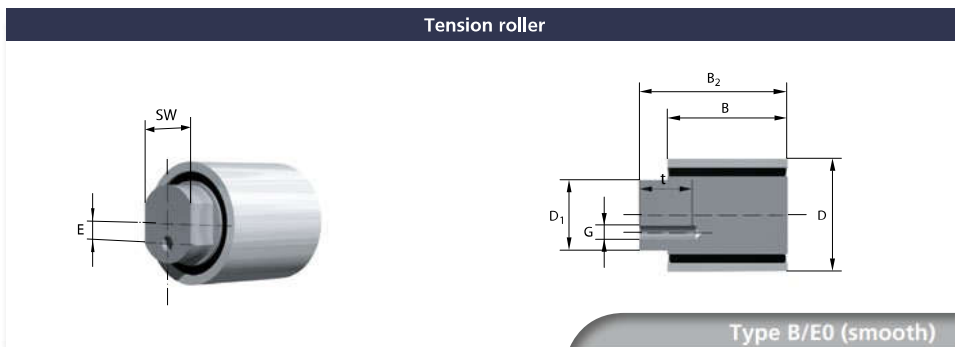
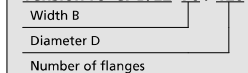
Tension rollers B are seated twice on grooved roller bearings. The bearings are greased for life. Permanent temperatures $\leq 70^\circ\text{C}$ and under will not lead to a reduced useful life of the grease. Short-term temperatures up to 120°C are permitted.

Materials:

Axis: steel
Running roller: aluminium
Flanges: aluminium

BRECO order example

Tension roller B/E2 70 / 120 - 2



Tension roller Typ B/E0 (stock program)													
B [mm]	D [mm]	Number of flanges	max. Belt width [mm]	d _p [mm]	B ₂ [mm]	E [mm]	G	t [mm]	D ₁ [mm]	SW [mm]	Loadbearing parameters		max. Rotational speeds n [min ⁻¹]
											C _{dyn} [N]	C _{stat.} [N]	
34	32	0	25	-	42	5	M6	10	20	17	7950	3920	10000
40	60	0	32	-	50	5	M12	20	30	27	19300	13100	5000
64	60	0	50	-	74	5	M12	20	30	27	19300	13100	5000
40	80	0	32	-	50	5	M12	20	30	27	19300	13100	5000
64	80	0	50	-	74	5	M12	20	30	27	19300	13100	5000
90	80	0	75	-	110	5	M20	32	45	36	48000	38000	5000
40	120	0	32	-	50	5	M12	20	30	27	19300	13100	5000
64	120	0	50	-	74	5	M12	20	30	27	19300	13100	5000
70	120	0	50	-	85	5	M20	30	45	36	70500	48000	5000
90	120	0	75	-	110	5	M20	32	45	36	48000	38000	5000
40	150	0	32	-	50	5	M12	20	30	27	19300	13100	5000
64	150	0	50	-	74	5	M12	20	30	27	19300	13100	5000
90	150	0	75	-	110	5	M20	32	45	36	48000	38000	5000

Tension roller Type B/E2 (stock program)													
B [mm]	D [mm]	Number of flanges	max. Belt width [mm]	d _p [mm]	B ₂ [mm]	E [mm]	G	t [mm]	D ₁ [mm]	SW [mm]	Loadbearing parameters		max. Rotational speeds n [min ⁻¹]
											C _{dyn} [N]	C _{stat.} [N]	
34	32	2	25	41,5	42	5	M6	10	20	17	7950	3920	10000
40	60	2	32	71	50	5	M12	20	30	27	19300	13100	5000
64	60	2	50	71	74	5	M12	20	30	27	19300	13100	5000
40	80	2	32	91	50	5	M12	20	30	27	19300	13100	5000
64	80	2	50	91	74	5	M12	20	30	27	19300	13100	5000
90	80	2	75	91	110	5	M20	32	45	36	48000	38000	5000
40	120	2	32	132	50	5	M12	20	30	27	19300	13100	5000
64	120	2	50	132	74	5	M12	20	30	27	19300	13100	5000
70	120	2	50	137	85	5	M20	30	45	36	70500	48000	5000
90	120	2	75	137	110	5	M20	32	45	36	48000	38000	5000
40	150	2	32	162	50	5	M12	20	30	27	19300	13100	5000
64	150	2	50	162	74	5	M12	20	30	27	19300	13100	5000
90	150	2	75	162	110	5	M20	32	45	36	48000	38000	5000