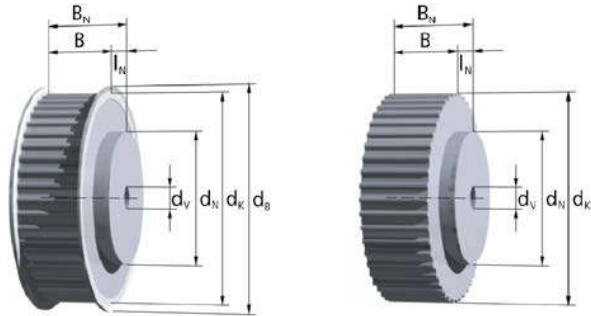


Timing pulleys Imperial-Profile

XL (T 1,5")



Order example:

Pulley AL 18 XL 050 -2
 Material _____
 Number of teeth _____
 Type / pitch _____
 Imperialcode _____
 Number of flanges _____

Refer to page 14 for further ordering information.

Material:

AlCu4MgSi, RoHS-conformant

| | | | | | | | | | | |
|--------------|---------------------|------|------|------|------|------|------|------|------|-----------------------------------|
| Imperialcode | | 025 | 031 | 037 | 050 | 075 | 100 | 150 | 200 | 300 |
| Belt width | b [mm] | 6,35 | 7,94 | 9,53 | 12,7 | 19,1 | 25,4 | 38,1 | 50,8 | 76,2 |
| Pulley width | B [mm] | 12 | 14 | 16 | 19 | 25 | 32 | 44 | 59 | 84 |
| Total width | B _N [mm] | | | | | | | | | B _N = B+l _N |

In-between widths and larger widths as well as other hub dimensions are available.

- z = Number of teeth
- d_k = Outside diameter
- d₀ = Pitch circle diameter
- d_B = Flange diameter
- d_N = Hub diameter

- l_N = Hub length
- d_v = Pre-bore diameter
- d_{max} = max. bore diameter without keyway for flanged timing pulleys; no hub at maximum pre-bore

| z | Hub | | | Bore | | |
|----|---------------------|---------------------|---------------------|--------------------------------------|---------------------|-----------------------|
| | d _k [mm] | d ₀ [mm] | d _B [mm] | d _N x l _N [mm] | d _v [mm] | d _{max} [mm] |
| 10 | 15,66 | 16,17 | 20 | 9,5x5,3 | 4H7 | 7 |
| 11 | 17,28 | 17,79 | 22 | 9,5x5,3 | 4H7 | 8 |
| 12 | 18,90 | 19,40 | 23 | 12,7x5,3 | 4H7 | 11 |
| 13 | 20,51 | 21,02 | 25 | 14,3x5,3 | 4H7 | 13 |
| 14 | 22,13 | 22,64 | 28 | 14,3x5,3 | 6H7 | 14 |
| 15 | 23,75 | 24,26 | 28 | 15,9x5,3 | 6H7 | 14 |
| 16 | 25,36 | 25,87 | 30 | 17,5x5,3 | 6H7 | 18 |
| 17 | 26,98 | 27,49 | 32 | 20,6x5,3 | 6H7 | 18 |
| 18 | 28,60 | 29,11 | 34 | 20,6x5,3 | 6H7 | 21 |
| 19 | 30,21 | 30,72 | 35 | 23,8x8,1 | 6H7 | 22 |

| z | Hub | | | Bore | | |
|----|---------------------|---------------------|---------------------|--------------------------------------|---------------------|-----------------------|
| | d _k [mm] | d ₀ [mm] | d _B [mm] | d _N x l _N [mm] | d _v [mm] | d _{max} [mm] |
| 20 | 31,83 | 32,34 | 36 | 23,8x8,1 | 6H7 | 23 |
| 21 | 33,45 | 33,96 | 39 | 23,8x8,1 | 6H7 | 25 |
| 22 | 35,07 | 35,57 | 40 | 25,4x8,1 | 6H7 | 26 |
| 23 | 36,86 | 37,19 | 42 | 27x8,1 | 6H7 | 26 |
| 24 | 38,30 | 38,81 | 43 | 27x8,1 | 6H7 | 27 |
| 25 | 39,92 | 40,43 | 45 | 30x8,1 | 6H7 | 29 |
| 26 | 41,53 | 42,04 | 47 | 30x8,1 | 6H7 | 31 |
| 27 | 43,15 | 43,66 | 48 | 30x8,1 | 6H7 | 32 |
| 28 | 44,77 | 45,28 | 50 | 30x8,1 | 6H7 | 34 |
| 29 | 46,38 | 46,89 | 52 | 34x8,1 | 6H7 | 36 |
| 30 | 48,00 | 48,51 | 53 | 34x8,1 | 6H7 | 37 |
| 31 | 49,62 | 50,13 | 55 | 38x12,1 | 8H7 | 39 |
| 32 | 51,24 | 51,74 | 56 | 38x12,1 | 8H7 | 40 |
| 33 | 52,85 | 53,36 | 58 | 38x12,1 | 8H7 | 42 |
| 34 | 54,47 | 54,98 | 60 | 38x12,1 | 8H7 | 44 |

XL (T 1,5“)

| z | d _K [mm] | d ₀ [mm] | d _B [mm] | Hub | | Bore | |
|----|------------------------|------------------------|------------------------|---|------------------------|--------------------------|--|
| | | | | d _N x l _N [mm] | d _V [mm] | d _{max} [mm] | |
| 35 | 56,09 | 56,60 | 61 | 38x12,1 | 8H7 | 46 | |
| 36 | 57,70 | 58,21 | 62 | 38x12,1 | 8H7 | 46 | |
| 37 | 59,32 | 59,83 | 64 | 38x12,1 | 8H7 | 48 | |
| 38 | 60,94 | 61,45 | 66 | 38x12,1 | 8H7 | 48 | |
| 39 | 62,55 | 63,06 | 68 | 38x12,1 | 8H7 | 50 | |
| 40 | 64,17 | 64,68 | 70 | 38x12,1 | 8H7 | 54 | |
| 41 | 65,79 | 66,30 | 72 | 38x12,1 | 8H7 | 54 | |
| 42 | 67,40 | 67,91 | 74 | 38x12,1 | 8H7 | 54 | |
| 43 | 69,02 | 69,53 | 75 | 38x12,1 | 8H7 | 56 | |
| 44 | 70,64 | 71,15 | 76 | 38x12,1 | 8H7 | 57 | |
| 45 | 72,26 | 72,77 | 78 | 38x12,1 | 8H7 | 60 | |
| 46 | 73,87 | 74,38 | 80 | 38x12,1 | 8H7 | 62 | |
| 47 | 75,49 | 76,00 | 82 | 38x12,1 | 8H7 | 62 | |
| 48 | 77,11 | 77,62 | 82 | 38x12,1 | 8H7 | 64 | |
| 49 | 78,72 | 79,23 | 84 | 38x12,1 | 8H7 | 66 | |
| 50 | 80,34 | 80,85 | 86 | 38x12,1 | 8H7 | 68 | |
| 51 | 81,96 | 82,47 | 88 | 38x12,1 | 8H7 | 70 | |
| 52 | 83,57 | 84,08 | 90 | 38x12,1 | 8H7 | 72 | |
| 53 | 85,19 | 85,70 | 90 | 38x12,1 | 8H7 | 72 | |
| 54 | 86,81 | 87,32 | 93 | 38x12,1 | 8H7 | 73 | |
| 55 | 88,43 | 88,94 | 93 | 38x12,1 | 8H7 | 75 | |
| 56 | 90,04 | 90,55 | 96 | 38x12,1 | 8H7 | 78 | |
| 57 | 91,66 | 92,17 | 96 | 38x12,1 | 8H7 | 79 | |
| 58 | 93,28 | 93,79 | 99 | 38x12,1 | 8H7 | 79 | |
| 59 | 94,89 | 95,40 | 100 | 38x12,1 | 8H7 | 80 | |
| 60 | 96,51 | 97,02 | 102 | 38x12,1 | 8H7 | 82 | |
| 61 | 98,13 | 98,64 | 104 | 38x12,1 | 8H7 | 84 | |
| 62 | 99,74 | 100,25 | 106 | 38x12,1 | 8H7 | 86 | |
| 63 | 101,36 | 101,87 | 106 | 38x12,1 | 8H7 | 86 | |
| 64 | 102,98 | 103,49 | 108 | 38x12,1 | 8H7 | 89 | |
| 65 | 104,60 | 105,11 | 110 | 38x12,1 | 8H7 | 89 | |
| 66 | 106,21 | 106,72 | 112 | 38x12,1 | 8H7 | 92 | |
| 67 | 107,83 | 108,34 | 112 | 38x12,1 | 8H7 | 95 | |
| 68 | 109,45 | 109,96 | 115 | 38x12,1 | 8H7 | 95 | |
| 69 | 111,06 | 111,57 | 117 | 38x12,1 | 8H7 | 97 | |
| 70 | 112,68 | 113,19 | 118 | 38x12,1 | 8H7 | 98 | |
| 71 | 114,30 | 114,81 | 121 | 38x12,1 | 8H7 | 98 | |
| 72 | 115,92 | 116,43 | 121 | 38x12,1 | 8H7 | 101 | |
| 73 | 117,53 | 118,04 | 123 | 45x12,1 | 10H7 | 103 | |
| 74 | 119,15 | 119,66 | 125 | 45x12,1 | 10H7 | 105 | |

| z | d _K [mm] | d ₀ [mm] | d _B [mm] | Hub | | Bore | |
|-----|------------------------|------------------------|------------------------|---|------------------------|--------------------------|--|
| | | | | d _N x l _N [mm] | d _V [mm] | d _{max} [mm] | |
| 75 | 120,77 | 121,28 | 128 | 45x12,1 | 10H7 | 108 | |
| 76 | 122,38 | 122,89 | 128 | 45x12,1 | 10H7 | 108 | |
| 77 | 124,00 | 124,51 | 131 | 45x12,1 | 10H7 | 111 | |
| 78 | 125,62 | 126,13 | 131 | 45x12,1 | 10H7 | 111 | |
| 79 | 127,23 | 127,74 | 134 | 45x12,1 | 10H7 | 110 | |
| 80 | 128,85 | 129,36 | 134 | 45x12,1 | 10H7 | 110 | |
| 81 | 130,47 | 130,98 | 137 | 45x12,1 | 10H7 | 113 | |
| 82 | 132,08 | 132,60 | 137 | 45x12,1 | 10H7 | 113 | |
| 83 | 133,70 | 134,21 | 140 | 45x12,1 | 10H7 | 116 | |
| 84 | 135,32 | 135,83 | 140 | 45x12,1 | 10H7 | 116 | |
| 85 | 136,94 | 137,45 | 142 | 45x12,1 | 10H7 | 120 | |
| 86 | 138,55 | 139,06 | 144 | 45x12,1 | 10H7 | 120 | |
| 87 | 140,17 | 140,68 | 147 | 45x12,1 | 10H7 | 123 | |
| 88 | 141,79 | 142,30 | 147 | 45x12,1 | 10H7 | 123 | |
| 89 | 143,40 | 143,91 | 150 | 45x12,1 | 10H7 | 126 | |
| 90 | 145,02 | 145,53 | 150 | 45x12,1 | 10H7 | 126 | |
| 91 | 146,64 | 147,15 | 153 | 45x12,1 | 10H7 | 129 | |
| 92 | 148,25 | 148,77 | 153 | 45x12,1 | 10H7 | 129 | |
| 93 | 149,87 | 150,38 | 156 | 45x12,1 | 10H7 | 132 | |
| 94 | 151,49 | 152,00 | 158 | 45x12,1 | 10H7 | 134 | |
| 95 | 153,11 | 153,62 | 158 | 55x12,1 | 12H7 | 134 | |
| 96 | 154,72 | 155,23 | 160 | 55x12,1 | 12H7 | 136 | |
| 97 | 156,34 | 156,85 | 163 | 55x12,1 | 12H7 | 139 | |
| 98 | 157,96 | 158,47 | 163 | 55x12,1 | 12H7 | 142 | |
| 99 | 159,57 | 160,08 | 166 | 55x12,1 | 12H7 | 142 | |
| 100 | 161,19 | 161,70 | 166 | 55x12,1 | 12H7 | 145 | |
| 101 | 162,81 | 163,32 | 169 | 55x12,1 | 12H7 | 145 | |
| 102 | 164,43 | 164,94 | 169 | 55x12,1 | 12H7 | 147 | |
| 103 | 166,04 | 166,55 | 172 | 55x12,1 | 12H7 | 147 | |
| 104 | 167,66 | 168,17 | 174 | 55x12,1 | 12H7 | 150 | |
| 105 | 169,28 | 169,79 | 174 | 55x12,1 | 12H7 | 150 | |
| 106 | 170,89 | 171,40 | 176 | 55x12,1 | 12H7 | 152 | |
| 107 | 172,51 | 173,02 | 179 | 55x12,1 | 12H7 | 155 | |
| 108 | 174,13 | 174,64 | 179 | 55x12,1 | 12H7 | 155 | |
| 109 | 175,74 | 176,25 | 182 | 55x12,1 | 12H7 | 158 | |
| 110 | 177,36 | 177,87 | 182 | 55x12,1 | 12H7 | 158 | |
| 111 | 178,98 | 179,49 | 185 | 55x12,1 | 12H7 | 161 | |
| 112 | 180,60 | 181,11 | 185 | 55x12,1 | 12H7 | 164 | |
| 113 | 182,21 | 182,72 | 188 | 55x12,1 | 12H7 | 164 | |
| 114 | 183,83 | 184,34 | 191 | 55x12,1 | 12H7 | 167 | |