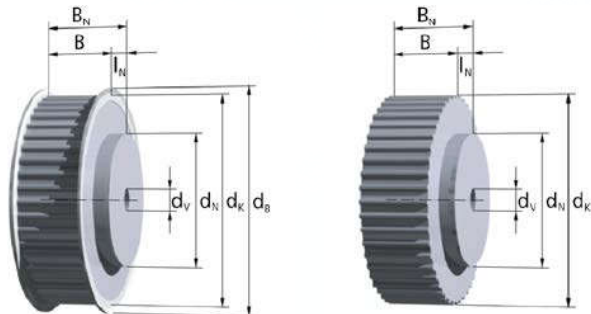


Timing pulleys Imperial-Profile

L (T 3/8th)



Order example:

Pulley AL 25 L 200 -2
 Material _____
 Number of teeth _____
 Type / pitch _____
 Imperialcode _____
 Number of flanges _____

Refer to page 14 for further ordering information.

Material:

AlCu4MgSi, RoHS-conformant

Imperialcode		037	050	075	100	150	200	300	400
Belt width	b [mm]	9,53	12,7	19,1	25,4	38,1	50,8	76,2	101,6
Pulley width	B [mm]	16	19	25	32	44	59	84	111
Total width	B _N [mm]								

$B_N = B + l_N$

In-between widths and larger widths as well as other hub dimensions are available.

- z = Number of teeth
- d_k = Outside diameter
- d₀ = Pitch circle diameter
- d_B = Flange diameter
- d_N = Hub diameter

- l_N = Hub length
- d_v = Pre-bore diameter
- d_{max} = max. bore diameter without keyway for flanged timing pulleys; no hub at maximum pre-bore

z	Hub			Bore		
	d _k [mm]	d ₀ [mm]	d _B [mm]	d _N x l _N [mm]	d _v [mm]	d _{max} [mm]
15	44,72	45,48	50	36x7	8H7	34
16	47,75	48,51	55	38x7	8H7	36
17	50,78	51,54	56	40x7	10H7	38
18	53,81	54,57	60	40x7	10H7	41
19	56,84	57,61	62	40x7	10H7	44
20	59,88	60,64	66	46x7	10H7	47
21	62,91	63,67	68	46x7	10H7	50
22	65,94	66,70	72	50x7	10H7	52
23	68,97	69,73	74	50x7	12H7	54
24	72,00	72,77	78	50x7	12H7	58
25	75,04	75,80	82	50x7	12H7	62
26	78,07	78,83	84	50x7	12H7	62
27	81,10	81,86	88	50x7	12H7	66
28	84,13	84,89	90	50x7	12H7	70
29	87,16	87,93	93	50x7	12H7	73

z	Hub			Bore		
	d _k [mm]	d ₀ [mm]	d _B [mm]	d _N x l _N [mm]	d _v [mm]	d _{max} [mm]
30	90,20	90,96	96	50x7	12H7	77
31	93,23	93,99	99	50x7	12H7	79
32	96,26	97,02	102	50x7	12H7	81
33	99,29	100,05	106	50x7	12H7	86
34	102,32	103,08	108	50x7	12H7	88
35	105,36	106,12	110	50x7	12H7	90
36	108,39	109,15	115	50x7	12H7	95
37	111,42	112,18	117	50x7	12H7	98
38	114,45	115,21	121	50x7	12H7	100
39	117,48	118,24	123	50x7	12H7	102
40	120,51	121,28	128	50x7	12H7	104
41	123,55	124,31	131	50x7	12H7	107
42	126,58	127,34	134	50x7	12H7	109
43	129,61	130,37	137	50x7	12H7	111
44	132,64	133,40	140	50x7	12H7	115

L (T 3/8")

z	d _K [mm]	d ₀ [mm]	d _B [mm]	Hub		Bore	
				d _N x l _N [mm]	d _V [mm]	d _{max} [mm]	
45	135,68	136,44	142	50x7	12H7	118	
46	138,71	139,47	144	50x7	12H7	123	
47	141,74	142,50	147	50x7	12H7	126	
48	144,77	145,53	150	50x7	12H7	131	
49	147,80	148,56	153	50x9	15H7	131	
50	150,83	151,60	158	50x9	15H7	134	
51	153,87	154,63	160	50x9	15H7	139	
52	156,90	157,66	163	50x9	15H7	142	
53	159,93	160,69	166	50x9	15H7	144	
54	162,96	163,72	169	50x9	15H7	147	
55	165,99	166,75	172	50x9	15H7	149	
56	169,03	169,79	174	50x9	15H7	152	
57	172,06	172,82	179	50x9	15H7	157	
58	175,09	175,85	182	50x9	15H7	160	
59	178,12	178,88	185	50x9	15H7	163	
60	181,15	181,91	188	50x9	15H7	166	
61	184,19	184,95	191	50x9	15H7	167	
62	187,22	187,98	195	50x9	15H7	167	
63	190,25	191,01	198	50x9	15H7	173	
64	193,28	194,04	201	50x9	15H7	176	
65	196,31	197,07	204	50x9	15H7	180	
66	199,35	200,11	207	50x9	15H7	180	
67	202,38	203,14	210	50x9	15H7	186	
68	205,41	206,17	210	50x9	15H7	186	
69	208,44	209,20	214	50x9	15H7	190	
70	211,47	212,23	217	50x9	15H7	190	
71	214,50	215,27	220	50x9	15H7	196	
72	217,53	218,30	223	50x9	15H7	199	
73	220,57	221,33	226	50x9	15H7	202	
74	223,60	224,36	230	50x9	15H7	206	
75	226,63	227,39	233	50x9	15H7	208	
76	229,66	230,42	236	50x9	15H7	212	
77	232,70	233,46	239	50x9	15H7	215	
78	235,73	236,49	242	50x9	15H7	218	
79	238,76	239,52	246	50x9	15H7	221	

z	d _K [mm]	d ₀ [mm]	d _B [mm]	Hub		Bore	
				d _N x l _N [mm]	d _V [mm]	d _{max} [mm]	
80	241,79	242,55	249	50x9	15H7	222	
81	244,82	245,58	252	50x9	15H7	222	
82	247,86	248,62	255	50x9	15H7	222	
83	250,89	251,65	258	50x9	15H7	225	
84	253,92	254,68	262	50x9	15H7	234	
85	256,95	257,71	265	65x9	20H7	237	
86	259,98	260,74	268	65x9	20H7	241	
87	263,01	263,78	271	65x9	20H7	241	
88	266,05	266,81	274	65x9	20H7	244	
89	269,08	269,84	277	65x9	20H7	247	
90	272,11	272,87	277	65x9	20H7	250	
91	275,14	275,90	281	65x9	20H7	256	
92	278,17	278,93	284	65x9	20H7	260	
93	281,21	281,97	287	65x9	20H7	263	
94	284,24	285,00	290	65x9	20H7	266	
95	287,27	288,03	293	65x9	20H7	254	
96	290,30	291,06	296	65x9	20H7	257	
97	293,33	294,09	300	65x9	20H7	261	
98	296,37	297,13	302	65x9	20H7	264	
99	299,40	300,16	306	65x9	20H7	267	
100	302,43	303,19	310	75x9	24H7	270	
101	305,46	306,22	312	75x9	24H7	273	
102	308,49	309,25	315	75x9	24H7	277	
103	311,53	312,29	318	75x9	24H7	280	
104	314,56	315,32	322	75x9	24H7	280	
105	317,59	318,35	325	75x9	24H7	286	
106	320,62	321,38	329	75x9	24H7	289	
107	323,65	324,41	332	75x9	24H7	289	
108	326,68	327,45	335	75x9	24H7	293	
109	329,72	330,48	338	75x9	24H7	296	
110	332,75	333,51	341	75x9	24H7	299	
111	335,78	336,54	344	75x9	24H7	302	
112	338,81	339,57	348	75x9	24H7	305	
113	341,84	342,60	348	75x9	24H7	308	
114	344,88	345,64	351	75x9	24H7	312	