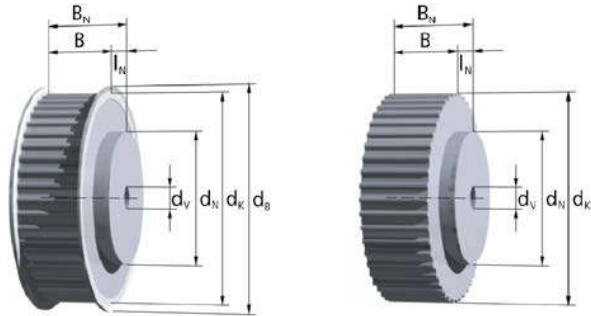


Timing pulleys Imperial-Profile

H (T 1/2")



Order example:

Pulley AL 25 H 200 -2
 Material _____
 Number of teeth _____
 Type / pitch _____
 Imperialcode _____
 Number of flanges _____

Refer to page 14 for further ordering information.

Material:

AlCu4MgSi, RoHS-conformant

Imperialcode		050	075	100	150	200	300	400
Belt width	b [mm]	12,7	19,1	25,4	38,1	50,8	76,2	101,6
Pulley width	B [mm]	19	25	32	44	59	84	111
Total width	BN [mm]				$B_N = B + I_N$			

In-between widths and larger widths as well as other hub dimensions are available.

- z = Number of teeth
- d_k = Outside diameter
- d_0 = Pitch circle diameter
- d_B = Flange diameter
- d_N = Hub diameter

- I_N = Hub length
- d_v = Pre-bore diameter
- d_{max} = max. bore diameter without keyway for flanged timing pulleys; no hub at maximum pre-bore

z	d_k [mm]	d_0 [mm]	Hub d_B [mm]	Bore $d_N \times I_N$ [mm]	d_v [mm]	d_{max} [mm]
14	55,23	56,60	63	40x10	12H7	42
15	59,27	60,64	66	46x10	15H7	46
16	63,31	64,68	70	46x10	15H7	51
17	67,35	68,72	75	54x10	15H7	54
18	71,39	72,77	78	54x10	15H7	56
19	75,44	76,81	82	58x10	15H7	62

z	d_k [mm]	d_0 [mm]	Hub d_B [mm]	Bore $d_N \times I_N$ [mm]	d_v [mm]	d_{max} [mm]
20	79,48	80,85	86	62x10	15H7	66
21	83,52	84,89	90	67x10	15H7	70
22	87,56	88,94	93	70x10	15H7	73
23	91,61	92,98	99	75x10	15H7	80
24	95,65	97,02	102	75x10	15H7	80
25	99,69	101,06	106	55x8	15H7	86
26	103,73	105,11	109	55x8	15H7	90
27	107,78	109,15	115	60x8	15H7	91
28	111,82	113,19	118	60x8	15H7	94
29	115,86	117,23	123	60x8	15H7	99
30	119,90	121,28	128	70x8	15H7	101
31	123,95	125,32	131	70x8	20H7	107
32	127,99	129,36	134	70x8	20H7	110
33	132,03	133,40	140	80x8	20H7	113
34	136,08	137,45	142	80x8	20H7	118

H (T 1/2")

z	d _K [mm]	d ₀ [mm]	d _B [mm]	Hub		Bore	
				d _N x l _N [mm]	d _V [mm]	d _{max} [mm]	
35	140,12	141,49	147	80x8	20H7	123	
36	144,16	145,53	150	80x8	20H7	126	
37	148,20	149,57	156	80x8	20H7	129	
38	152,25	153,62	158	80x8	20H7	134	
39	156,29	157,66	163	80x8	20H7	139	
40	160,33	161,70	166	80x8	20H7	142	
41	164,37	165,74	172	80x8	20H7	147	
42	168,42	169,79	174	80x8	20H7	150	
43	172,46	173,83	179	80x8	20H7	155	
44	176,50	177,87	182	80x8	20H7	158	
45	180,54	181,91	188	80x8	20H7	162	
46	184,59	185,96	191	80x8	20H7	167	
47	188,63	190,00	195	80x8	20H7	171	
48	192,67	194,04	198	80x8	20H7	174	
49	196,71	198,08	204	80x11	20H7	180	
50	200,76	202,13	207	80x11	20H7	183	
51	204,80	206,17	212	80x11	20H7	186	
52	208,84	210,21	214	80x11	20H7	176	
53	212,88	214,25	220	80x11	20H7	196	
54	216,93	218,30	223	80x11	20H7	199	
55	220,97	222,34	226	80x11	20H7	202	
56	225,01	226,38	230	80x11	20H7	206	
57	229,05	230,42	236	80x11	20H7	212	
58	233,10	234,47	239	80x11	20H7	215	
59	237,14	238,51	242	80x11	20H7	218	
60	241,18	242,55	246	80x11	20H7	222	
61	245,22	246,59	252	80x11	20H7	228	
62	249,27	250,64	255	80x11	20H7	231	
63	253,31	254,68	258	80x11	20H7	234	
64	257,35	258,72	265	80x11	20H7	241	
65	261,39	262,76	268	80x11	20H7	244	
66	265,44	266,81	271	80x11	20H7	244	
67	269,48	270,85	277	80x11	20H7	247	
68	273,52	274,89	281	80x11	20H7	250	
69	277,56	278,93	284	80x11	20H7	260	
70	281,61	282,98	287	80x11	20H7	269	
71	285,65	287,02	293	80x11	20H7	253	
72	289,69	291,06	296	80x11	20H7	259	
73	293,73	295,11	300	80x11	20H7	266	
74	297,78	299,15	306	80x11	20H7	269	

z	d _K [mm]	d ₀ [mm]	d _B [mm]	Hub		Bore	
				d _N x l _N [mm]	d _V [mm]	d _{max} [mm]	
75	301,82	303,19	310	80x11	20H7	272	
76	305,86	307,23	312	80x11	20H7	275	
77	309,90	311,28	318	80x11	20H7	279	
78	313,95	315,32	322	80x11	20H7	282	
79	317,99	319,36	325	80x11	20H7	288	
80	322,03	323,40	329	80x11	20H7	291	
81	326,07	327,45	335	80x11	20H7	295	
82	330,12	331,49	338	80x11	20H7	301	
83	334,16	335,53	341	80x11	20H7	304	
84	338,20	339,57	344	80x11	20H7	307	
85	342,24	343,62	348	80x11	20H7	310	
86	346,29	347,66	354	80x11	20H7	314	
87	350,33	351,70	357	80x11	20H7	320	
88	354,37	355,74	363	80x11	20H7	323	
89	358,41	359,79	367	80x11	20H7	326	
90	362,46	363,83	372	80x11	20H7	331	
91	366,50	367,87	372	80x11	20H7	332	
92	370,54	371,91	377	80x11	20H7	337	
93	374,58	375,96	382	80x11	20H7	342	
94	378,63	380,00	386	80x11	20H7	346	
95	382,67	384,04	391	80x11	20H7	351	
96	386,71	388,08	396	80x11	20H7	356	
97	390,76	392,13	401	90x16	24H7	356	
98	394,80	396,17	401	90x16	24H7	361	
99	398,84	400,21	405	90x16	24H7	365	
100	402,88	404,25	410	90x16	24H7	370	
101	406,93	408,30	415	90x16	24H7	375	
102	410,97	412,34	420	90x16	24H7	375	
103	415,01	416,38	425	90x16	24H7	385	
104	419,05	420,42	425	90x16	24H7	389	
105	423,10	424,47	429	90x16	24H7	389	
106	427,14	428,51	434	90x16	24H7	392	
107	431,18	432,55	440	90x16	24H7	395	
108	435,22	436,59	444	90x16	24H7	398	
109	439,27	440,64	448	90x16	24H7	401	
110	443,31	444,68	453	90x16	24H7	404	
111	447,35	448,72	453	90x16	24H7	407	
112	451,39	452,76	459	90x16	24H7	410	
113	455,44	456,81	463	90x16	24H7	413	
114	459,48	460,85	468	90x16	24H7	416	