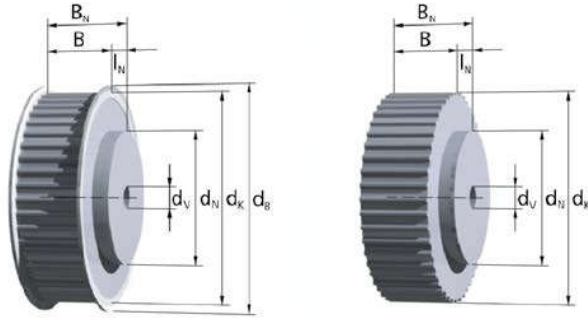


Timing pulleys AT-Profile

AT 5



Stock pulleys up to $z = 44$ with flanges

Stock pulleys over $z = 48$ without flanges

Order example:

Pulley AL 28 AT 5 / 60 - 0 Hub 65x6; dv
 Material _____
 Total width B_N _____
 Type / pitch _____
 Number of teeth _____
 Number of flanges _____
 Hub dimension $d_N \times I_N$ _____

Note for part code:

dv = Diameter pre-drilled.

Refer to page 14 for further ordering information.

Belt width	b	[mm]	10	16	25	32	50	75	100
Pulley width	B	[mm]	16	22	32	40	60	85	110
Total width	B_N	[mm]	22	28	38	46	66	90	115

Materials:

Pulley: AlCu4MgSi, RoHS-conformant
 Flange: Galvanized steel

The stock pulleys with standard dimensioning are marked in blue.

In-between widths and larger widths as well as other hub dimensions are available.

- z = Number of teeth
- d_K = Outside diameter
- d_0 = Pitch circle diameter
- d_B = Flange diameter
- d_N = Hub diameter

- I_N = Hub length
- d_v = Pre-bore diameter
- d_{max} = max. bore diameter without keyway for flanged timing pulleys; no hub at maximum pre-bore

z	Hub			Bore		
	d_K [mm]	d_0 [mm]	d_B [mm]	$d_N \times I_N$ [mm]	d_v [mm]	d_{max} [mm]
15	22,65	23,87	28	16x6	6H7	10
16	24,24	25,46	30	18x6	6H7	12
17	25,84	27,06	32	18x6	6H7	14
18	27,43	28,65	34	20x6	6H7	16
19	29,02	30,24	35	22x6	6H7	16
20	30,61	31,83	36	24x6	6H7	18
21	32,20	33,42	37	24x6	6H7	20
22	33,79	35,01	39	24x6	6H7	22
23	35,39	36,61	40	24x6	8H7	24
24	36,98	38,20	42	26x6	8H7	24
25	38,57	39,79	43	26x6	8H7	25
26	40,16	41,38	45	26x6	8H7	25
27	41,75	42,97	47	30x6	8H7	27
28	43,34	44,56	48	30x6	8H7	29
29	44,93	46,15	50	30x6	8H7	31

z	Hub			Bore		
	d_K [mm]	d_0 [mm]	d_B [mm]	$d_N \times I_N$ [mm]	d_v [mm]	d_{max} [mm]
30	46,53	47,75	52	34x6	8H7	33
31	48,12	49,34	53	34x6	8H7	35
32	49,71	50,93	55	38x6	8H7	37
33	51,30	52,52	56	38x6	8H7	39
34	52,89	54,11	58	38x6	8H7	39
35	54,48	55,70	60	38x6	8H7	40
36	56,08	57,30	61	38x6	8H7	42
37	57,67	58,89	62	38x6	8H7	43
38	59,26	60,48	64	38x6	8H7	45
39	60,85	62,07	66	38x6	8H7	45
40	62,44	63,66	68	40x6	8H7	47
41	64,03	65,25	70	40x6	8H7	48
42	65,63	66,85	72	40x6	8H7	50
43	67,22	68,44	72	40x6	8H7	52
44	68,81	70,03	74	50x6	8H7	52

AT 5

z	d _K [mm]	d ₀ [mm]	d _B [mm]	Hub	Bore	
				d _N x l _N [mm]	d _V [mm]	d _{max} [mm]
45	70,40	71,62	75	50x6	8H7	54
46	71,99	73,21	76	50x6	8H7	56
47	73,58	74,80	78	50x6	8H7	58
48	75,17	76,39	80	50x6	8H7	60
49	76,77	77,99	82	50x6	8H7	60
50	78,36	79,58	84	50x6	8H7	60
51	79,95	81,17	86	50x6	8H7	62
52	81,54	82,76	86	50x6	8H7	64
53	83,13	84,35	88	50x6	8H7	66
54	84,72	85,94	90	50x6	8H7	66
55	86,32	87,54	91	50x6	8H7	68
56	87,91	89,13	93	50x6	8H7	70
57	89,50	90,72	94	50x6	8H7	72
58	91,09	92,31	96	50x6	8H7	74
59	92,68	93,90	99	50x6	8H7	74
60	94,27	95,49	99	65x6	8H7	76
61	95,86	97,08	100	65x6	8H7	79
62	97,46	98,68	102	65x6	8H7	80
63	99,05	100,27	104	65x6	8H7	82
64	100,64	101,86	105	65x6	8H7	82
65	102,23	103,45	107	65x6	8H7	84
66	103,82	105,04	109	65x6	8H7	86
67	105,41	106,63	112	65x6	8H7	88
68	107,01	108,23	112	65x6	8H7	90
69	108,60	109,82	115	65x6	8H7	90
70	110,19	111,41	115	65x6	8H7	90
71	111,78	113,00	117	65x6	8H7	92
72	113,37	114,59	118	80x6	8H7	94
73	114,96	116,18	121	80x6	10H7	96
74	116,55	117,77	121	80x6	10H7	96
75	118,15	119,37	123	80x6	10H7	98
76	119,74	120,96	125	80x6	10H7	100
77	121,33	122,55	128	80x6	10H7	102
78	122,92	124,14	128	80x6	10H7	104
79	124,51	125,73	131	80x6	10H7	104

z	d _K [mm]	d ₀ [mm]	d _B [mm]	Hub	Bore	
				d _N x l _N [mm]	d _V [mm]	d _{max} [mm]
80	126,10	127,32	131	80x6	10H7	106
81	127,70	128,92	134	80x6	10H7	108
82	129,29	130,51	134	80x6	10H7	110
83	130,88	132,10	137	80x6	10H7	110
84	132,47	133,69	137	80x6	10H7	112
85	134,06	135,28	140	80x6	10H7	114
86	135,65	136,87	142	80x6	10H7	116
87	137,24	138,46	142	80x6	10H7	119
88	138,84	140,06	144	80x6	10H7	119
89	140,43	141,65	147	80x6	10H7	120
90	142,02	143,24	147	80x6	10H7	120
91	143,61	144,83	150	90x6	10H7	122
92	145,20	146,42	150	90x6	10H7	124
93	146,79	148,01	153	90x6	10H7	126
94	148,39	149,61	153	90x6	10H7	126
95	149,98	151,20	156	90x6	10H7	129
96	151,57	152,79	156	90x6	10H7	130
97	153,16	154,38	158	90x6	10H7	130
98	154,75	155,97	160	90x6	10H7	132
99	156,34	157,56	163	90x6	10H7	132
100	157,93	159,15	163	90x6	10H7	134
101	159,53	160,75	166	95x6	12H7	136
102	161,12	162,34	166	95x6	12H7	139
103	162,71	163,93	169	95x6	12H7	140
104	164,30	165,52	169	95x6	12H7	140
105	165,89	167,11	171	95x6	12H7	140
106	167,48	168,70	172	95x6	12H7	142
107	169,08	170,30	174	95x6	12H7	146
108	170,67	171,89	176	95x6	12H7	146
109	172,26	173,48	179	110x6	12H7	148
110	173,85	175,07	179	110x6	12H7	150
111	175,44	176,66	180	110x6	12H7	150
112	177,03	178,25	182	110x6	12H7	152
113	178,63	179,85	185	110x6	12H7	152
114	180,22	181,44	185	110x6	12H7	152