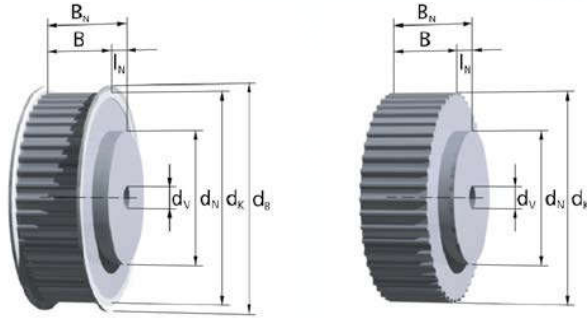


# Timing pulleys AT-Profile

## AT 3



Stock pulleys up to  $z = 40$  with flanges

Stock pulleys over  $z = 44$  without flanges

### Order example:

Timing pulley AL 28 AT 3 / 60 - 0 Hub 38x6; dv  
 Material \_\_\_\_\_  
 Total width  $B_N$  \_\_\_\_\_  
 Type / pitch \_\_\_\_\_  
 Number of teeth \_\_\_\_\_  
 Number of flanges \_\_\_\_\_  
 Hub dimension  $d_N \times I_N$  \_\_\_\_\_

Note for part code:

dv = Diameter pre-drilled.

Refer to page 14 for further ordering information.

Belt width	b [mm]	6	10	16	25	32
Pulley width	B [mm]	10	15	22	32	40
Total width	$B_N$ [mm]	16	21	28	38	46

### Materials:

Pulley: AlCu4MgSi, RoHS-conformant  
 Flange: Galvanized steel

The stock pulleys with standard dimensioning are marked in blue.

In-between widths and larger widths as well as other hub dimensions are available.

- $z$  = Number of teeth
- $d_k$  = Outside diameter
- $d_0$  = Pitch circle diameter
- $d_B$  = Flange diameter
- $d_N$  = Hub diameter

- $I_N$  = Hub length
- $d_v$  = Pre-bore diameter
- $d_{max}$  = max. bore diameter without keyway for flanged timing pulleys; no hub at maximum pre-bore

z	Hub			Bore		
	$d_k$ [mm]	$d_0$ [mm]	$d_B$ [mm]	$d_N \times I_N$ [mm]	$d_v$ [mm]	$d_{max}$ [mm]
15	13,91	14,32	17	10x6	4H7	4
16	14,87	15,28	18	10x6	4H7	5
17	15,82	16,23	19	10x6	4H7	6
18	16,78	17,19	21	12x6	4H7	7
19	17,73	18,14	23	12x6	4H7	8
20	18,69	19,10	24	14x6	4H7	9
21	19,64	20,05	25	14x6	6H7	10
22	20,60	21,01	26	14x6	6H7	11
23	21,55	21,96	26	14x6	6H7	12
24	22,51	22,92	28	14x6	6H7	13
25	23,46	23,87	30	16x6	6H7	14
26	24,42	24,83	30	16x6	6H7	15
27	25,37	25,78	30	16x6	6H7	15
28	26,33	26,74	32	16x6	6H7	16
29	27,28	27,69	34	16x6	6H7	17

z	Hub			Bore		
	$d_k$ [mm]	$d_0$ [mm]	$d_B$ [mm]	$d_N \times I_N$ [mm]	$d_v$ [mm]	$d_{max}$ [mm]
30	28,24	28,65	34	20x6	6H7	18
31	29,19	29,60	35	20x6	6H7	19
32	30,15	30,56	36	20x6	6H7	20
33	31,10	31,51	36	20x6	6H7	21
34	32,06	32,47	37	20x6	6H7	22
35	33,01	33,42	39	20x6	6H7	23
36	33,97	34,38	40	22x6	6H7	24
37	34,92	35,33	40	22x6	6H7	25
38	35,88	36,29	42	22x6	6H7	26
39	36,83	37,24	42	22x6	6H7	27
40	37,79	38,20	43	26x6	6H7	28
41	38,74	39,15	45	26x6	6H7	29
42	39,70	40,11	45	26x6	6H7	30
43	40,65	41,06	47	26x6	6H7	31
44	41,61	42,02	47	30x6	6H7	32

## AT 3

z	d <sub>K</sub> [mm]	d <sub>0</sub> [mm]	d <sub>B</sub> [mm]	Hub	Bore	d <sub>max</sub> [mm]
				d <sub>N</sub> x l <sub>N</sub> [mm]	d <sub>V</sub> [mm]	
45	42,56	42,97	48	30x6	6H7	33
46	43,52	43,93	50	30x6	6H7	34
47	44,47	44,88	50	30x6	6H7	35
48	45,43	45,84	52	34x6	6H7	36
49	46,38	46,79	52	34x6	6H7	36
50	47,34	47,75	53	34x6	6H7	37
51	48,29	48,70	53	34x6	6H7	38
52	49,25	49,66	55	34x6	6H7	39
53	50,20	50,61	55	34x6	6H7	40
54	51,16	51,57	56	34x6	6H7	41
55	52,11	52,52	58	34x6	6H7	42
56	53,07	53,48	58	34x6	6H7	43
57	54,02	54,43	60	34x6	6H7	44
58	54,98	55,39	60	34x6	6H7	45
59	55,93	56,34	61	34x6	6H7	46
60	56,89	57,30	62	38x6	6H7	47
61	57,84	58,25	64	38x6	6H7	48
62	58,80	59,21	64	38x6	6H7	49
63	59,75	60,16	66	38x6	6H7	50
64	60,71	61,12	66	38x6	6H7	51
65	61,66	62,07	68	38x6	6H7	52
66	62,62	63,03	68	38x6	6H7	53
67	63,57	63,98	70	38x6	6H7	54
68	64,53	64,94	70	38x6	6H7	55
69	65,48	65,89	72	38x6	6H7	56
70	66,44	66,85	72	38x6	6H7	57
71	67,39	67,80	74	38x6	6H7	58
72	68,34	68,75	74	50x6	6H7	58
73	69,30	69,71	74	50x6	8H7	59
74	70,25	70,66	75	50x6	8H7	60
75	71,21	71,62	76	50x6	8H7	61
76	72,16	72,57	78	50x6	8H7	62
77	73,12	73,53	78	50x6	8H7	63
78	74,07	74,48	80	50x6	8H7	64
79	75,03	75,44	80	50x6	8H7	65

z	d <sub>K</sub> [mm]	d <sub>0</sub> [mm]	d <sub>B</sub> [mm]	Hub	Bore	d <sub>max</sub> [mm]
				d <sub>N</sub> x l <sub>N</sub> [mm]	d <sub>V</sub> [mm]	
80	75,98	76,39	82	50x6	8H7	66
81	76,94	77,35	82	50x6	8H7	67
82	77,89	78,30	84	50x6	8H7	68
83	78,85	79,26	84	50x6	8H7	69
84	79,80	80,21	86	50x6	8H7	70
85	80,76	81,17	86	50x6	8H7	71
86	81,71	82,12	88	50x6	8H7	72
87	82,67	83,08	88	50x6	8H7	73
88	83,62	84,03	90	50x6	8H7	74
89	84,58	84,99	90	50x6	8H7	75
90	85,53	85,94	91	50x6	8H7	76
91	86,49	86,90	93	65x6	8H7	77
92	87,44	87,85	93	65x6	8H7	78
93	88,40	88,81	94	65x6	8H7	79
94	89,35	89,76	94	65x6	8H7	79
95	90,31	90,72	96	65x6	8H7	80
96	91,26	91,67	96	65x6	8H7	81
97	92,22	92,63	96	65x6	8H7	82
98	93,17	93,58	99	65x6	8H7	83
99	94,13	94,54	99	65x6	8H7	84
100	95,08	95,49	100	65x6	8H7	85
101	96,04	96,45	100	65x6	8H7	86
102	96,99	97,40	102	65x6	8H7	87
103	97,95	98,36	102	65x6	8H7	88
104	98,90	99,31	104	65x6	8H7	89
105	99,86	100,27	104	65x6	8H7	90
106	100,81	101,22	104	65x6	10H7	91
107	101,77	102,18	106	65x6	10H7	92
108	102,72	103,13	106	65x6	10H7	93
109	103,68	104,09	108	65x6	10H7	94
110	104,63	105,04	108	65x6	10H7	95
111	105,59	106,00	110	65x6	10H7	96
112	106,54	106,95	110	65x6	10H7	97
113	107,50	107,91	112	65x6	10H7	98
114	108,45	108,86	112	65x6	10H7	99