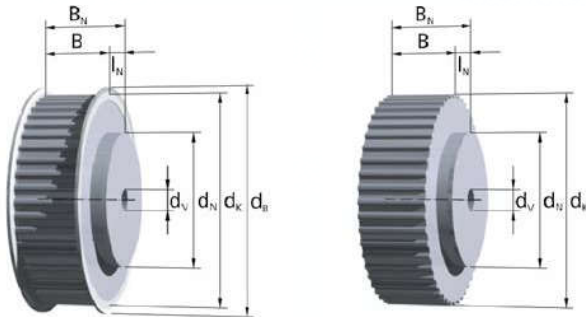


Timing pulleys AT-Profile

AT 20 (Also for ATN toothed belt)



Order example:

Pulley AL 70 AT 20 / 60 - 0 Hub 140x10; d_v
 Material _____
 Total width B_N _____
 Type / pitch _____
 Number of teeth _____
 Number of flanges _____
 Hub dimension d_N x I_N _____

Note for part code:

d_v = Diameter pre-drilled.

Refer to page 14 for further ordering information.

Belt width	b [mm]	32	50	75	100
Pulley width	B [mm]	40	60	85	110
Width für ATN-System	B [mm]	-	60	85	110
Total width	B _N [mm]	50	70	95	120

Materials:

Pulley: AlCu4MgSi, RoHS-conformant
 Flange: Galvanized steel, screwed

In-between widths and larger widths are available (not with ATN toothed belts).

Other dimensions.

- z = Number of teeth
- d_k = Outside diameter
- d₀ = Pitch circle diameter
- d_B = Flange diameter
- d_N = Hub diameter

- I_N = Hub length
- d_v = Pre-bore diameter
- d_{max} = max. bore diameter without keyway for flanged timing pulleys; no hub at maximum pre-bore

z	Hub			Bore		
	d _k [mm]	d ₀ [mm]	d _B [mm]	d _N x I _N [mm]	d _v [mm]	d _{max} [mm]
18	111,77	114,59	121	70x10	12H7	86
19	118,14	120,96	128	80x10	12H7	93
20	124,50	127,32	134	90x10	16H7	100
21	130,87	133,69	140	90x10	16H7	105
22	137,24	140,06	147	90x10	16H7	112
23	143,60	146,42	153	90x10	16H7	118
24	149,97	152,79	160	95x10	16H7	125
25	156,33	159,15	166	95x10	16H7	131
26	162,70	165,52	172	95x10	16H7	137
27	169,07	171,89	179	110x10	16H7	144
28	175,43	178,25	185	110x10	16H7	150
29	181,80	184,62	192	110x10	16H7	156

z	Hub			Bore		
	d _k [mm]	d ₀ [mm]	d _B [mm]	d _N x I _N [mm]	d _v [mm]	d _{max} [mm]
30	188,17	190,99	198	110x10	16H7	163
31	194,53	197,35	204	110x10	16H7	169
32	200,90	203,72	210	110x10	16H7	175
33	207,26	210,08	217	110x10	16H7	182
34	213,63	216,45	223	110x10	16H7	188
35	220,00	222,82	229	110x10	16H7	195
36	226,36	229,18	236	110x10	18H7	201
37	232,73	235,55	242	110x10	18H7	207
38	239,10	241,92	249	110x10	18H7	214
39	245,46	248,28	255	110x10	18H7	220
40	251,83	254,65	261	110x10	18H7	226
41	258,19	261,01	268	130x10	18H7	233
42	264,56	267,38	274	130x10	18H7	239
43	270,93	273,75	280	130x10	18H7	245
44	277,29	280,11	287	130x10	18H7	252

AT 20 (Also for ATN toothed belt)

z	d _K [mm]	d ₀ [mm]	d _B [mm]	Hub		Bore	
				d _N x l _N [mm]	d _V [mm]	d _{max} [mm]	
45	283,66	286,48	293	130x10	18H7	258	
46	290,03	292,85	300	130x10	18H7	265	
47	296,39	299,21	306	130x10	18H7	271	
48	302,76	305,58	312	130x10	18H7	278	
49	309,12	311,94	319	140x10	20H7	284	
<hr/>							
50	315,49	318,31	325	140x10	20H7	290	
51	322,86	324,68	331	140x10	20H7	296	
52	328,22	331,04	338	140x10	20H7	303	
53	334,59	337,41	344	140x10	20H7	310	
54	340,95	343,77	350	140x10	20H7	315	
<hr/>							
55	347,32	350,14	357	140x10	20H7	322	
56	353,69	356,51	363	140x10	20H7	328	
57	360,05	362,87	370	140x10	20H7	335	
58	366,42	369,24	376	140x10	20H7	341	
59	372,79	375,61	382	140x10	20H7	347	
<hr/>							
60	379,15	381,97	389	140x10	20H7	354	
61	385,52	388,34	395	140x10	20H7	360	
62	391,88	394,70	401	140x10	20H7	366	
63	398,25	401,07	408	140x10	20H7	373	
64	404,62	407,44	414	140x10	20H7	379	
<hr/>							
65	410,98	413,80	420	140x10	20H7	385	
66	417,35	420,17	427	140x10	20H7	392	
67	423,72	426,54	433	140x10	20H7	398	
68	430,08	432,90	440	140x10	20H7	405	
69	436,45	439,27	446	140x10	20H7	406	
<hr/>							
70	442,81	445,63	452	140x10	20H7	412	
71	449,18	452,00	459	140x10	20H7	419	
72	455,55	458,37	465	140x10	20H7	425	
73	461,91	464,73	471	160x10	30H7	431	
74	468,28	471,10	478	160x10	30H7	438	
<hr/>							
75	474,64	477,46	484	160x10	30H7	444	
76	481,01	483,83	490	160x10	30H7	450	
77	487,38	490,20	497	160x10	30H7	457	
78	493,74	496,56	503	160x10	30H7	463	
79	500,11	502,93	510	160x10	30H7	470	

z	d _K [mm]	d ₀ [mm]	d _B [mm]	Hub		Bore	
				d _N x l _N [mm]	d _V [mm]	d _{max} [mm]	
80	506,48	509,30	516	200x10	30H7	476	
81	512,84	515,66	522	200x10	30H7	482	
82	519,21	522,03	529	200x10	30H7	489	
83	525,57	528,39	535	200x10	30H7	495	
84	531,94	534,76	541	200x10	30H7	501	
<hr/>							
85	538,31	541,13	548	200x10	30H7	503	
86	544,67	547,49	554	200x10	30H7	509	
87	551,04	553,86	561	200x10	30H7	516	
88	557,41	560,23	567	200x10	30H7	522	
89	563,77	566,59	573	200x10	30H7	528	
<hr/>							
90	570,14	572,96	580	200x10	30H7	535	
91	576,50	579,32	586	200x10	30H7	541	
92	582,87	585,69	592	200x10	30H7	548	
93	589,24	592,06	599	200x10	30H7	554	
94	595,60	598,42	605	200x10	30H7	560	
<hr/>							
95	601,97	604,79	611	200x10	40H7	566	
96	608,33	611,15	618	200x10	40H7	573	
97	614,70	617,52	624	200x10	40H7	579	
98	621,07	623,89	631	200x10	40H7	586	
99	627,43	630,25	637	200x10	40H7	592	
<hr/>							
100	633,80	636,62	643	200x10	40H7	598	
101	640,17	642,99	650	200x10	40H7	605	
102	646,53	649,35	656	200x10	40H7	611	
103	652,90	655,72	662	200x10	40H7	617	
104	659,26	662,08	669	200x10	40H7	624	
<hr/>							
105	665,63	668,45	675	200x10	40H7	630	
106	672,00	674,82	681	200x10	40H7	636	
107	678,36	681,18	688	200x10	40H7	643	
108	684,73	687,55	694	200x10	40H7	649	
109	691,10	693,92	701	200x10	40H7	656	
<hr/>							
110	697,46	700,28	707	200x10	40H7	662	
111	703,83	706,65	713	200x10	40H7	663	
112	710,19	713,01	720	200x10	40H7	670	
113	716,56	719,38	726	200x10	40H7	676	
114	722,93	725,75	732	200x10	40H7	682	