

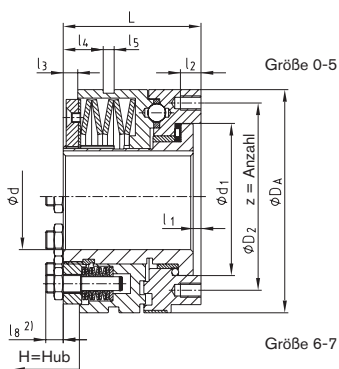
## Flanschausführung



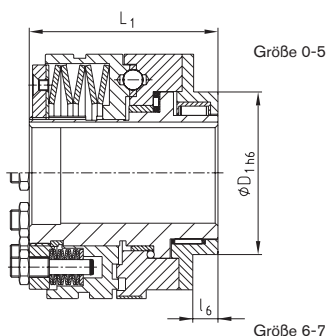
Piktogrammlegende ist auf dem Klapper am Umschlag zu finden



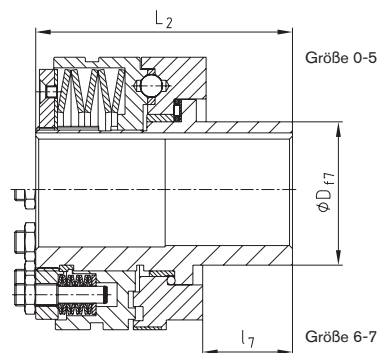
Bauform FT



Bauform KT



Bauform LT



### Technische Daten

| Größe | Drehmomente [Nm] |          |           |           |                       |           |           |           |               |         |          |                                  | Gewicht bei max. Bohrung [kg] |
|-------|------------------|----------|-----------|-----------|-----------------------|-----------|-----------|-----------|---------------|---------|----------|----------------------------------|-------------------------------|
|       | Ausführung DK    |          |           |           | Ausführung SR und SGR |           |           |           | Ausführung FR |         |          |                                  |                               |
|       | T1               | T2       | T3        | T4        | T1                    | T2        | T3        | T4        | T1            | T2      | T3       | $n_{max.}$ [1/min] <sup>3)</sup> |                               |
| 0     | 2,5-5            | 5-20     | -         | 20-40     | 5-10                  | 10-40     | -         | -         | 5-10          | 10-20   | 20-40    | 6000                             | 0,41                          |
| 1     | 6-12             | 12-25    | 25-55     | 55-100    | 12-25                 | 25-50     | 50-100    | -         | 12-25         | 25-50   | 50-100   | 5000                             | 1,30                          |
| 2     | 12-25            | 25-50    | 50-120    | 120-200   | 25-50                 | 50-100    | 100-200   | -         | 25-50         | 50-100  | 100-200  | 4000                             | 2,27                          |
| 3     | 25-50            | 50-100   | 100-250   | 200-450   | 50-100                | 100-200   | 200-450   | -         | 50-100        | 100-200 | 200-450  | 3500                             | 3,88                          |
| 4     | 50-100           | 100-200  | 200-500   | 500-1000  | 100-200               | 200-400   | 400-800   | 800-2000  | 100-200       | 200-400 | 400-800  | 3000                             | 8,34                          |
| 5     | 85-250           | 230-600  | 300-1000  | 600-2000  | 170-450               | 350-900   | 600-1800  | 1200-3400 | 170-450       | 350-900 | 600-1800 | 2300                             | 13,51                         |
| 6     | 180-480          | 360-960  | 720-1950  | 1600-3300 | 300-750               | 600-1500  | 1200-3000 | 2900-5800 | -             | -       | -        | -                                | 21                            |
| 7     | 250-520          | 500-1050 | 1000-2100 | 2000-3600 | 550-1100              | 1100-2200 | 2200-4400 | 3000-8200 | -             | -       | -        | -                                | 37                            |

### Abmessungen [mm]

| Größe           | Bohrung d |      | d <sub>1</sub> | D   | D <sub>1</sub> | D <sub>2</sub> | D <sub>A</sub> | l <sub>1</sub> | l <sub>2</sub> | l <sub>3</sub> | l <sub>4</sub> | l <sub>5</sub> | l <sub>6</sub> | l <sub>7</sub> | L     | L <sub>1</sub> | L <sub>2</sub> | z                   | H=Hub |     |     |     |
|-----------------|-----------|------|----------------|-----|----------------|----------------|----------------|----------------|----------------|----------------|----------------|----------------|----------------|----------------|-------|----------------|----------------|---------------------|-------|-----|-----|-----|
|                 | Vorb.     | max. |                |     |                |                |                |                |                |                |                |                |                |                |       |                |                |                     | DK    | SR  | SGR | FR  |
|                 |           |      |                |     |                |                |                |                |                |                |                |                |                |                |       |                |                |                     |       |     |     |     |
| 0               | 7         | 20   | 41,0           | 28  | 38             | 48             | 55             | 4,0            | 6,5            | 3,0            | 7,5            | 9              | 8              | 27,5           | 38,5  | 51,0           | 66,0           | 6xM5                | 1,4   | 1,2 | 0,6 | 1,6 |
| 1               | 10        | 25   | 60,0           | 38  | 50             | 70             | 82             | 4,0            | 8,0            | 6,0            | 11,5           | 9              | 10             | 33,0           | 52,0  | 70,0           | 85,0           | 6xM5                | 2,3   | 1,8 | 0,8 | 2,3 |
| 2               | 14        | 35   | 78,0           | 52  | 60             | 89             | 100            | 5,0            | 10,0           | 5,0            | 12,0           | 9              | 12             | 39,0           | 61,0  | 78,0           | 100,0          | 6xM6                | 2,4   | 2,0 | 1,1 | 3,0 |
| 3               | 18        | 45   | 90,5           | 65  | 80             | 105            | 120            | 5,0            | 12,0           | 8,5            | 21,0           | 10             | 12             | 47,0           | 78,0  | 96,0           | 125,0          | 6xM8                | 2,7   | 2,2 | 1,2 | 3,5 |
| 4               | 24        | 55   | 105,0          | 78  | 100            | 125            | 146            | 6,5            | 15,0           | 11,0           | 27,0           | 9              | 16             | 52,5           | 100,0 | 124,5          | 152,5          | 6xM10 <sup>1)</sup> | 3,7   | 2,5 | 1,2 | 3,8 |
| 5               | 30        | 65   | 120,5          | 90  | 120            | 155            | 176            | 6,5            | 17,0           | 12,0           | 33,0           | 9              | 18             | 57,5           | 113,5 | 140,0          | 171,0          | 6xM12 <sup>1)</sup> | 4,6   | 3,0 | 1,6 | 4,5 |
| 6 <sup>2)</sup> | 40        | 80   | 136,0          | 108 | 130            | 160            | 200            | 7,0            | 20,0           | 14,0           | 39,0           | 9              | 20             | 64,0           | 119,0 | 150,0          | 183,0          | 6xM12 <sup>1)</sup> | 5,0   | 3,5 | 2,5 | -   |
| 7 <sup>2)</sup> | 50        | 100  | 168,0          | 135 | 160            | 200            | 240            | 8,0            | 25,0           | 15,0           | 46,0           | 9              | 25             | 72,0           | 141,0 | 175,0          | 213,0          | 6xM16 <sup>1)</sup> | 5,5   | 4,0 | 2,7 | -   |

<sup>1)</sup> Ausführung T4 SR und SRG: Anziehdrehmomente nach 12.9  
<sup>2)</sup> Größe 6: Maß l<sub>8</sub> = 15 mm, Größe 7: Maß l<sub>8</sub> = 21 mm  
<sup>3)</sup> Siehe Erläuterung Seite 230

### Bestell- beispiel:

|           |                        |         |                       |         |                          |
|-----------|------------------------|---------|-----------------------|---------|--------------------------|
| KTR-SI 2  | FR                     | FT      | T2                    | d Ø20   | 40 Nm                    |
| Typ/Größe | Ausführung [DK/SR/SGR] | Bauform | Tellerfederschichtung | Bohrung | eingestelltes Drehmoment |