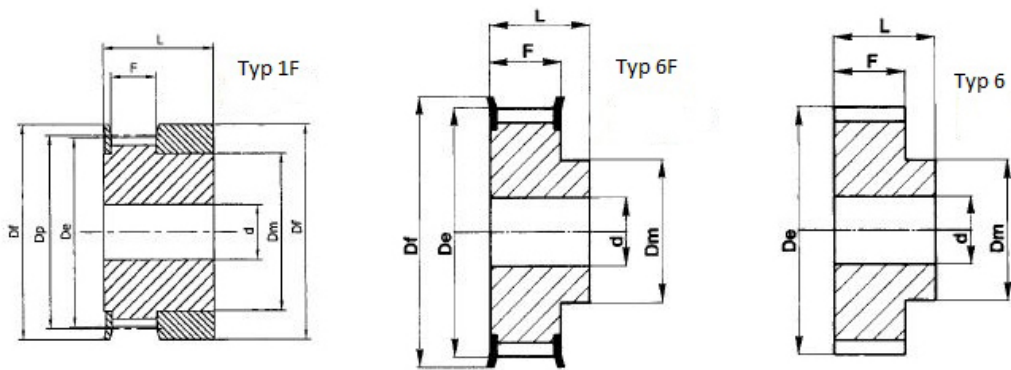


Zahnriemenscheibe HTD 3M-15



Material: Aluminium 6082 T6 UNI 9006/4

Typ	Bauart	Zähnezahl	Dp	De	Df	Dm	F	L	d	Gewicht ca. kg/St.
10-3M-15	1F	10	9,55	8,79	13,0	6,0	17,0	26,0	4	0,006
12-3M-15	1F	12	11,46	10,70	15,0	8,0	17,0	26,0	4	0,008
14-3M-15	1F	14	13,37	12,61	16,0	9,5	17,0	26,0	4	0,010
15-3M-15	1F	15	14,32	13,56	17,5	11,6	17,0	26,0	4	0,012
16-3M-15	6F	16	15,28	14,52	18,0	10,0	19,5	26,0	4	0,012
18-3M-15	6F	18	17,19	16,43	20,0	11,0	19,5	26,0	6	0,012
20-3M-15	6F	20	19,10	18,34	23,0	13,0	19,5	26,0	6	0,014
21-3M-15	6F	21	20,05	19,29	25,0	13,0	19,5	26,0	6	0,016
22-3M-15	6F	22	21,01	20,25	25,0	13,0	19,5	26,0	6	0,018
24-3M-15	6F	24	22,92	22,16	25,0	13,0	19,5	26,0	6	0,020
26-3M-15	6F	26	24,83	24,07	28,0	16,0	19,5	26,0	6	0,027
28-3M-15	6F	28	26,74	25,98	32,0	18,0	19,5	26,0	6	0,030
30-3M-15	6F	30	28,65	27,89	32,0	20,0	19,5	26,0	6	0,035
32-3M-15	6F	32	30,56	29,80	36,0	22,0	19,5	26,0	6	0,042
36-3M-15	6F	36	34,38	33,62	38,0	26,0	20,0	30,0	6	0,060
40-3M-15	6F	40	38,20	37,44	42,0	28,0	20,0	30,0	6	0,075
44-3M-15	6F	44	42,02	41,26	48,0	33,0	20,0	30,0	6	0,095
48-3M-15	6	48	45,84	45,08	–	33,0	20,0	30,0	8	0,103
60-3M-15	6	60	57,30	56,54	–	33,0	20,0	30,0	8	0,150
72-3M-15	6	72	68,75	67,99	–	33,0	20,0	30,0	8	0,212