

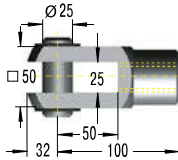
Adjustable, Without Free Travel, Compression and extension force 2,000 N to 40,000 N

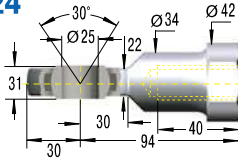
### End Fitting

### Standard Dimensions

### End Fitting

**B24**

**Stud Thread B24**
**D24**

**Clevis Fork D24**  
max. force 50,000 N

**E24**

**Swivel Eye E24**  
max. force 50,000 N

#### Performance and Dimensions

TYPES	Stroke mm	L extended mm	<sup>1</sup> Compression force max. N	<sup>1</sup> Compression force with MBS max. N
HBS-70-100	111	561	40,000	40,000
HBS-70-200	211	861	40,000	40,000
HBS-70-300	311	1,161	40,000	40,000
HBS-70-400	411	1,461	30,300	40,000
HBS-70-500	511	1,761	21,600	40,000
HBS-70-600	611	2,061	16,200	40,000
HBS-70-700	711	2,361	12,600	40,000
HBS-70-800	811	2,661	10,100	40,000

<sup>1</sup> Max. extension force for all stroke lengths 40,000 N.

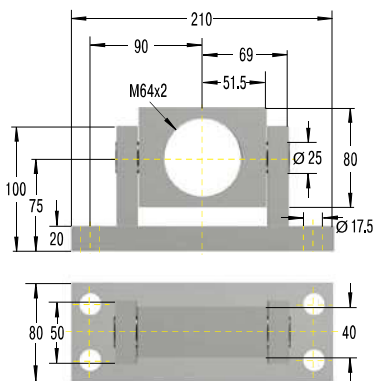
#### Ordering Example

Type (Hydraulic Damper) **HBS-70-300-EE-N**  
 Body Ø (70 mm)  
 Stroke (300 mm)  
 Piston Rod End Fitting E24  
 Body End Fitting E24  
 Damping Direction (N = in stroke only)

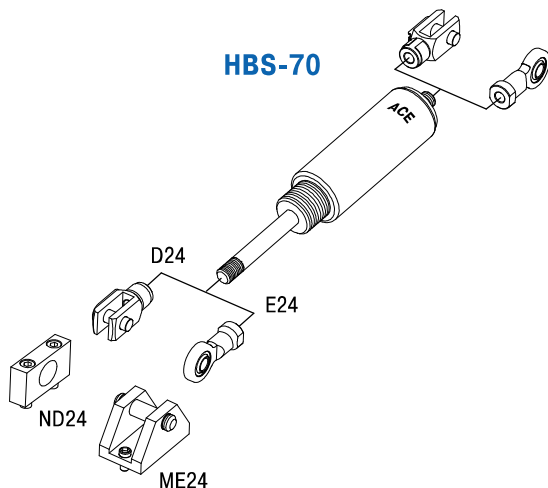
#### Model Type Prefix

P: Damping in both directions  
 N: Damping on in stroke only  
 M: Damping on out stroke only  
 X: Special model suffix

Mounting accessories see from page 200.

**Rod Shroud W24-70**  
Ø 80, L = Stroke + 180


### Swivel Mounting Block MBS-70



#### Technical Data

**Compression and extension force:** 2,000 N to 40,000 N

**Operating temperature range:** -20 °C to +80 °C

**Adjustment:** Achieved by turning the piston rod in its fully extended or fully compressed position.

Clockwise rotation = increase of the damping

Anti-clockwise rotation = decrease of the damping

Damping force adjustable before installation. The adjustment can add a max. of 5 mm to the L dimension.

**Positive stop:** External positive stops 5 mm to 6 mm before the end of stroke provided by the customer.

**Material:** Outer body: Zinc plated or coated steel; Piston rod: Hard chrome plated steel; End fittings: Zinc plated steel

**Mounting:** In any position

**Note:** Increased break-away force if unit has not moved for some time.

**End fittings:** They are interchangeable and if necessary must be positively secured by the customer to prevent unscrewing.

**Safety instructions:** For long strokes with high forces use swivel mounting block MBS.