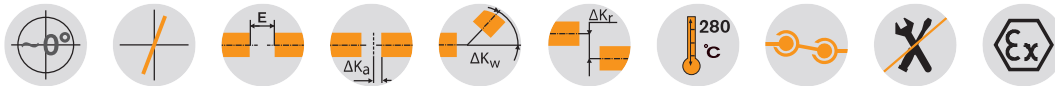


RADEX®-N NENA 1, NENA 2, NENE 1 and NNZ Steel lamina couplings

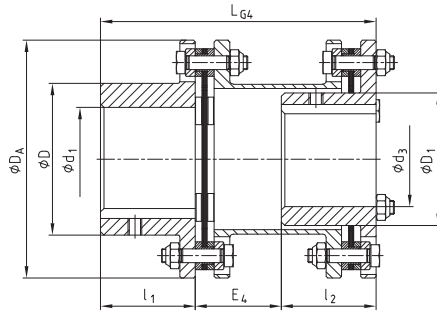
Standard types



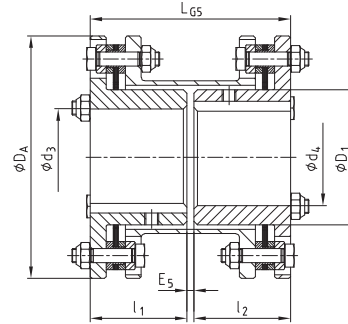
For legend of pictogram please refer to flapper on the cover



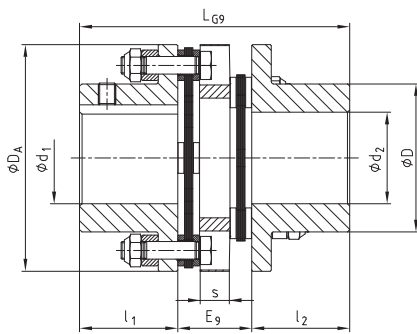
Components



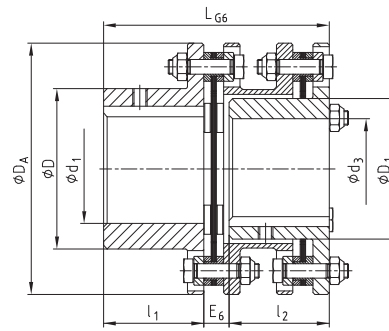
Type NENA 1



Type NENE 1



Type NNZ



Type NENA 2

RADEX®-N Types NENA 1, NENE 1, NENA 2, NNZ

Size	Max. finish bore		Dimensions [mm]												
	d ₁ , d ₂	d ₃ , d ₄	D	D ₁	D _A	l ₁ , l ₂	L _{G4}	E ₄	L _{G5}	E ₅	L _{G6}	E ₆	L _{G9}	E ₉	
20	20	-	32	-	56	20	-	-	-	-	-	-	58	18	
25	25	-	40	-	68	25	-	-	-	-	-	-	70	20	
35	38	-	54	-	82	40	-	-	-	-	-	-	102	22	
38	42	-	58	-	94	45	-	-	-	-	-	-	118	28	
42	50	-	68	-	104	45	-	-	-	-	-	-	124	34	
50	55	-	78	-	126	55	-	-	-	-	-	-	144	34	
60	65	55	88	77	138	55	160	50	114	4	124	14	144	34	
70	75	65	102	90	156	65	190	60	134	4	144	14	166	36	
80	85	75	117	104	179	75	220	70	154	4	167	17	-	-	
85	90	80	123	112	191	80	232	72	164	4	178	18	-	-	
90	100	85	132	119	210	80	233	73	166	6	184	24	-	-	
105	110	90	147	128	225	90	263	83	186	6	204	24	-	-	
115	120	100	163	145	265	100	288	88	206	6	227	27	-	-	

Ordering example:

RADEX®-N 60	NENA 1	Ø50	Ø60
Coupling size	Type	Finish bore d ₁	Finish bore d ₂