

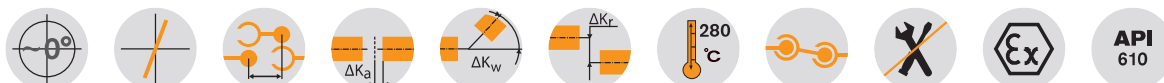
# RADEX®-N NANA 3

## Steel lamina couplings

Pump drives in accordance with API 610



For legend of pictogram please refer to flapper on the cover

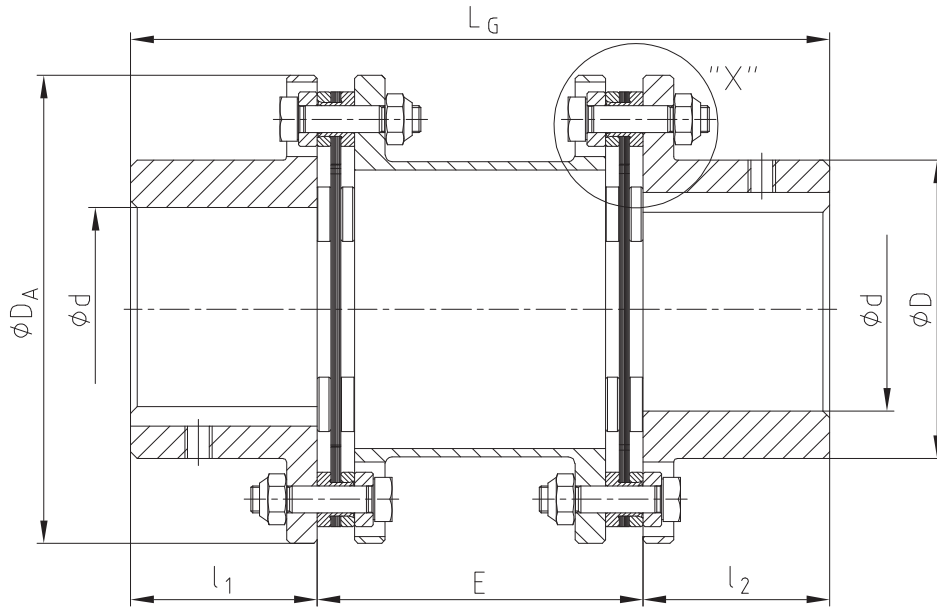


RADEX®-N Type NANA 3							
Size	Max. finish bore	Dimensions [mm]				Perm. displacements	
	d	D	DA	E <sup>Standard</sup> <sup>1)</sup>	I <sub>1</sub> , I <sub>2</sub>	Angular [°] each lamina	Axial [mm]
42	50	68	104	100	45	1.0	2.8
50	55	78	126	140/180	55	1.0	3.2
60	65	88	138	100/140/180/250	55	1.0	2.0
70	75	102	156	100/140/180	65	1.0	2.2
80	85	117	179	100/140/180/250	75	1.0	2.6
85	90	123	191	100/140/180/250	80	1.0	2.3
90	100	132	210	140/180/250	80	1.0	2.0
105	110	147	225	250	90	1.0	2.4
115	120	163	265	250	100	1.0	2.8
135	135	184	305	250	135	1.0	3.5
136	135	180	300		135	0.7	3.7
156	150	195	325		150	0.7	4.2
166	170	225	350		165	0.7	4.5
186	190	250	380		185	0.7	4.8
206	210	275	420		200	0.7	5.2
246	245	320	500		240	0.7	6.0
286	290	383	567		280	0.7	6.7
336	340	445	660	As specified by the customer	330	0.7	7.5
138	135	180	300		135	0.5	2.6
158	150	195	325		150	0.5	2.8
168	170	225	350		165	0.5	3.0
188	190	250	380		185	0.5	3.2
208	210	275	420		200	0.5	3.5
248	245	320	500		240	0.5	4.0
288	290	383	567		280	0.5	4.5
338	340	445	660		330	0.5	5.0

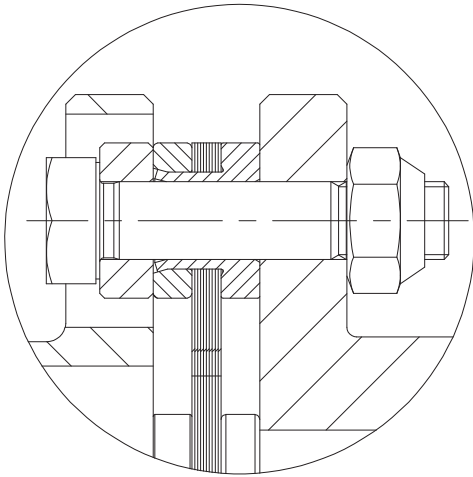
<sup>1)</sup> Other distance dimensions E available on request.

Ordering example:	RADEX®-N 60	NANA 3	Ø50	Ø60	140
	Coupling size	Type	Finish bore d <sub>1</sub>	Finish bore d <sub>2</sub>	Shaft distance dimension

## Components



### Detail "X"



Safety catch of the spacer:  
The lamina sets are provided with a sleeve in order to fasten the spacer if the laminae break.